

# Maestro Writing Tablet - Assembly

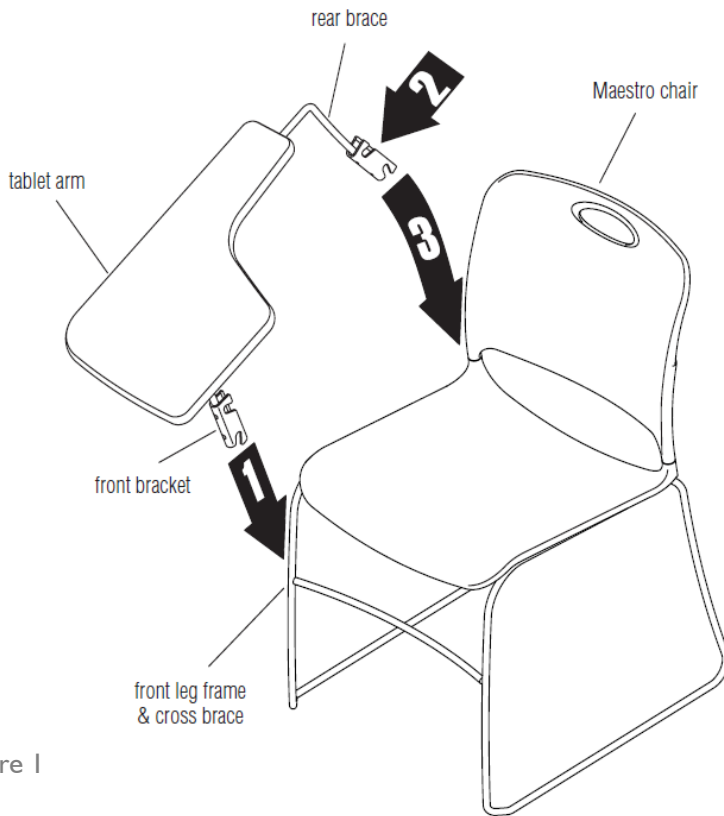


Figure 1

1. As illustrated, position the tablet arm at an angle and engage the lower slot of the front tablet arm bracket with the leg upright at the chair frame cross brace location (Arrow 1, Figure 1).
2. Press the back of the tablet arm rear brace toward the front of the chair (Arrow 2) and rotate the rear tablet arm section down into position at the rear leg (Arrow 3, Figure 1).
3. Make sure the top slot of the rear tablet arm rear bracket engages the chair frame as shown below (seat not shown for clarity) (Detail A).

## Removing Tablet Arms

Force back of the tablet arm brace towards the front of the chair (Arrow A) while lifting up on the rear of the brace (Arrow B). Rotate the rear brace up and lift the front bracket out (Arrow C, Figure 2).

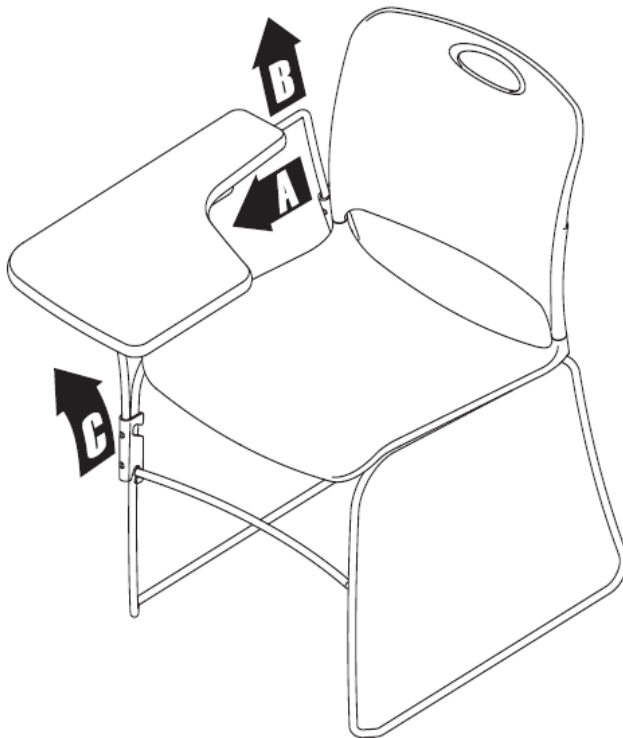
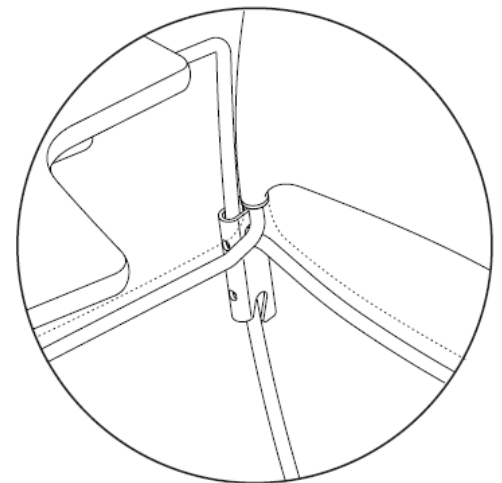


Figure 2



Detail A

Caution - Assemble units as described herein only. To do otherwise may result in instability. All screws, nuts and bolts must be tightened securely and must be checked periodically after assembly. Failure to assemble properly, or to secure parts may result in assembly failure and personal injury.