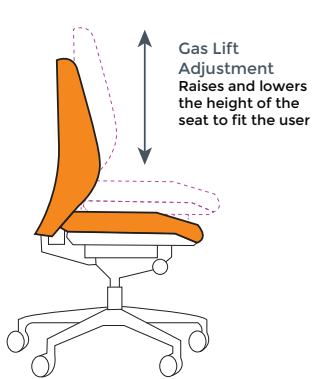
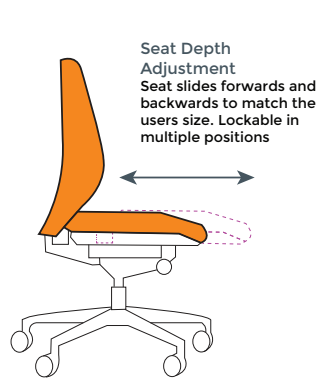


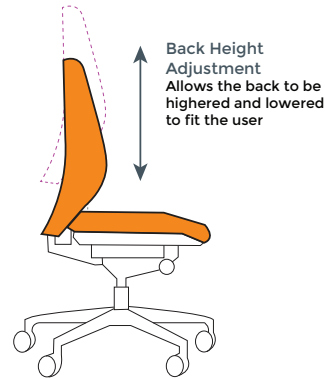
Chair Specifications



Gas Lift Adjustment
Raises and lowers the height of the seat to fit the user



Seat Depth Adjustment
Seat slides forwards and backwards to match the users size. Lockable in multiple positions



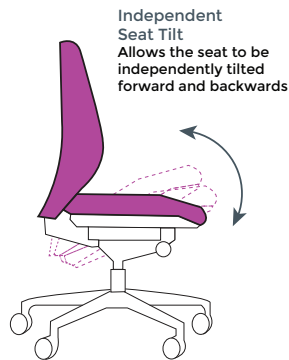
Back Height Adjustment
Allows the back to be higher and lowered to fit the user



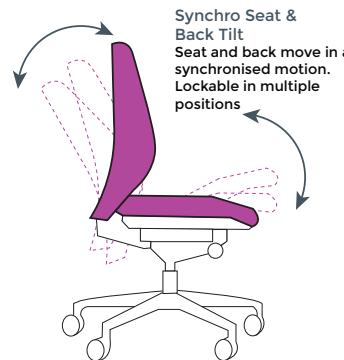
Lumbar Support
Offers additional support to the lower back



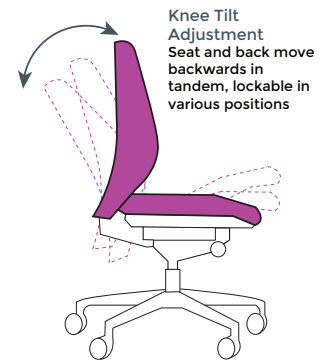
Adjustable Lumbar Support
Adjusts internally in the back to offer additional support to the lower back



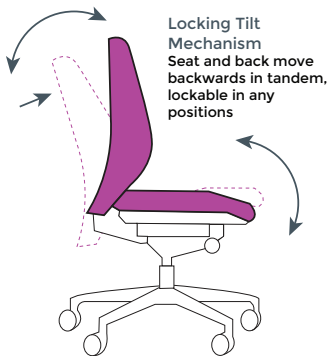
Independent Seat Tilt
Allows the seat to be independently tilted forward and backwards



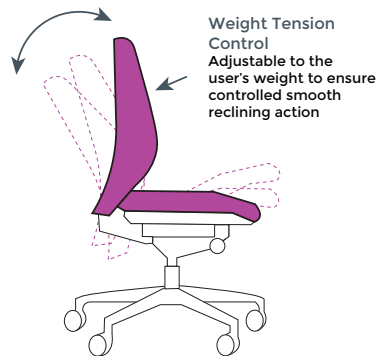
Synchro Seat & Back Tilt
Seat and back move in a synchronised motion. Lockable in multiple positions



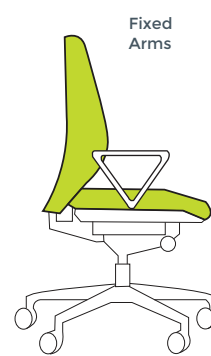
Knee Tilt Adjustment
Seat and back move backwards in tandem, lockable in various positions



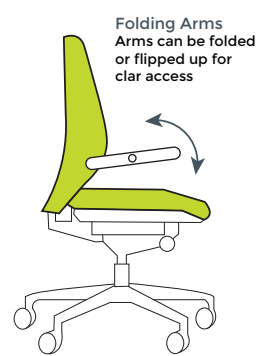
Locking Tilt Mechanism
Seat and back move backwards in tandem, lockable in any positions



Weight Tension Control
Adjustable to the user's weight to ensure controlled smooth reclining action



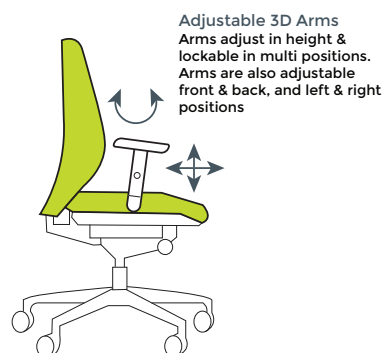
Fixed Arms



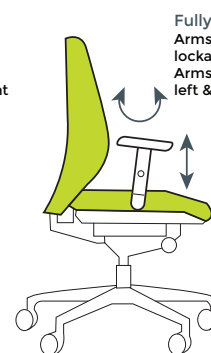
Folding Arms
Arms can be folded or flipped up for clear access



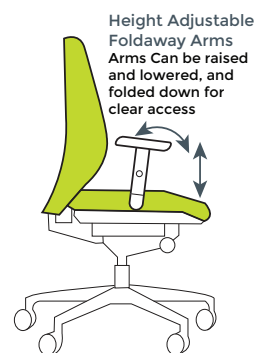
Height Adjustable Arms
Arms adjust in height. Lockable in multiple positions



Adjustable 3D Arms
Arms adjust in height & lockable in multi positions. Arms are also adjustable front & back, and left & right positions



Fully Adjustable Arms
Arms adjust in height & lockable in multi positions. Arms are also adjustable left & right positions



Height Adjustable Foldaway Arms
Arms can be raised and lowered, and folded down for clear access